

# Dorado Square

## 4" Square LED Wall Mount Cylinder

### Product Description

The Dorado Square 4" LED Wall Mount Cylinder delivers optimal performance up to 118 lumens per watt in an attractive, contemporary design. Ideal for porches, walls, columns, office spaces, restaurants, clubs, walkways and other residential or commercial applications where ambient illumination is desired, the Dorado Square uses tempered, clear prismatic glass to create uniform down or up/down light distribution free of hot spots or glare. The fixture features a detachable mounting plate for easy mounting to J-Boxes and has a knockout for through-wiring.

#### Construction

- Die-cast aluminum housing
- Detachable mounting plate
- Easy to use mounting bracket allows for quick mounting to J-Boxes
- ½" knockout for conduit wiring

#### Optical System

- Tempered, clear prismatic glass creates uniform distribution while maximizing lumen output
- Offered in single and up/down configurations
- Utilizes advanced LED technology with CCT of 3000K, 4000K, and 5000K
- CRI 80+

#### Electrical

- Thermally-protected, high-efficiency driver
- Operating temperature rating of -4° to 104°F (-20°C to 40°C)
- Input voltage of 120-277VAC
- Available in 22 and 33 watt

#### Finish

- Fine-textured, bronze or white UV-stabilized powder coat finish

#### Mounting and installation

- Easy installation on a recessed junction box
- Fixture mounts directly to J-Boxes with screws
- For installations where power surge may be possible, NICOR recommends installing additional surge protection at the electrical distribution panel

#### Listings

- LM-79, LM-80 testing performed in accordance with IESNA standards
- UL and CUL Listed for wet locations
- Meets FCC Part 15, Subpart B, Class A standards for conducted and radiated emissions
- TM-21 Reported L70(10k) life >60,000 hours
- TM-21 Projected L70(10k) life =108,000 hours

#### Warranty

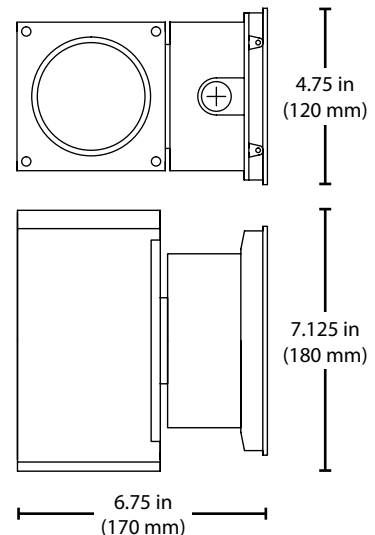
- 5-year limited system warranty standard
- Warranty does not cover product failure due to an overvoltage event (power surge)

Project \_\_\_\_\_

Catalog \_\_\_\_\_

Type \_\_\_\_\_

Date \_\_\_\_\_



\*Only available on OWCQ4D

# Photometric Data

## OWCQ4D 5000K

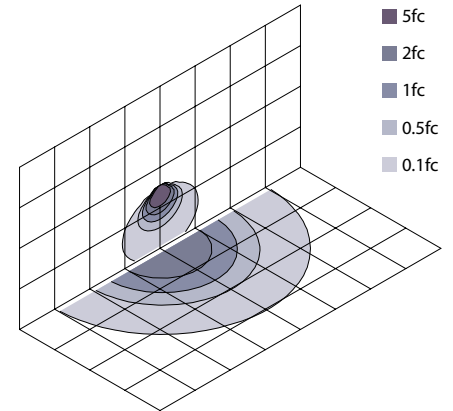
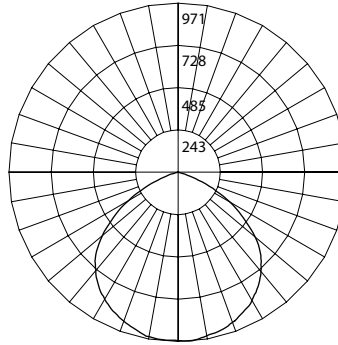
Input Voltage (VAC)	120-277
System Level Power (W)	21.1
120V Current (A)	0.18
277V Current (A)	0.08
Delivered Lumens (Lm)	2497
System Efficacy (Lm/W)	118.4
Correlated Color Temp (K)	5000
Power Factor	0.901
THD	14.11%
Color Rendering Index (CRI)	83
Beam Angle	107.6°
Spacing Criteria	1.31

### Intensity Summary (Candle Power)

Angle	Mean CP
0	966
5	964
15	937
25	882
35	796
45	666
55	457
65	215
75	31
85	0
90	0

### CCT Data Multiplier

OWCQ4D1022MV30	0.855
OWCQ4D1022MV40	0.917



Each square represents 100 square feet.

### Zonal Lumen Summary

Zone	Lumens	% of Luminaire
0-30	781	31.3%
0-40	1291	51.7%
0-60	2233	89.4%
0-90	2497	100.0%
90-180	0	0.0%
0-180	2497	100.0%

## OWCQ4U 5000K

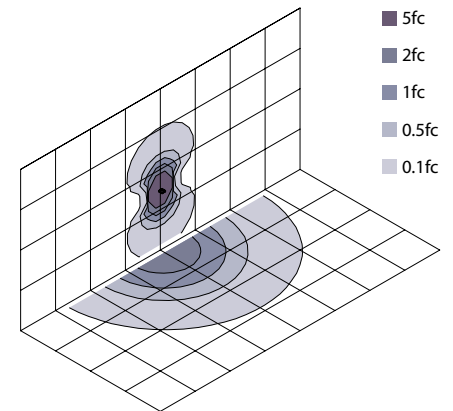
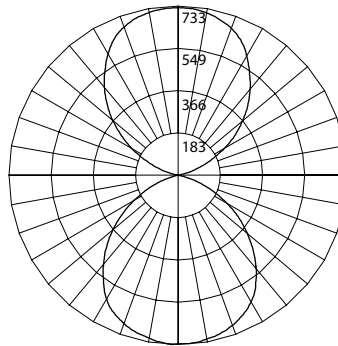
Input Voltage (VAC)	120-277
System Level Power (W)	33.7
120V Current (A)	0.29
277V Current (A)	0.13
Delivered Lumens (Lm)	3489
System Efficacy (Lm/W)	103.4
Correlated Color Temp (K)	5000
Power Factor	> 0.9
THD	< 20%
Color Rendering Index (CRI)	83
Beam Angle	102.5°
Spacing Criteria	1.31

### Intensity Summary (Candle Power)

Angle	Mean CP
0	730
15	706
30	629
45	458
60	237
75	34
90	0
105	40
120	232
135	434
150	607
165	701
180	725

### CCT Data Multiplier

OWCQ4D1033MV30	0.886
OWCQ4D1033MV40	0.917



Each square represents 100 square feet.

### Zonal Lumen Summary

Zone	Lumens	% of Luminaire
0-30	574	16.4%
0-40	938	26.9%
0-60	1569	45.0%
0-90	1768	50.7%
90-180	1721	49.3%
0-180	3489	100.0%

Fixture tested per LM-79-08. Photometric data is of the performance of a representative fixture. Results may vary in the field.

### Performance Data

Model Number	Lumens	Watts	Lumens/Watt	BUG Rating
OWCQ4D1022MV30	2134	21.1	101.2	B1-U1-G0
OWCQ4D1022MV40	2290	21.1	108.6	B1-U1-G0
OWCQ4D1022MV50	2497	21.1	118.4	B1-U1-G0
OWCQ4U1033MV30	3091	33.7	91.6	B1-U5-G0
OWCQ4U1033MV40	3200	33.7	94.9	B1-U5-G0
OWCQ4U1033MV50	3489	33.7	103.4	B1-U5-G0

**Ordering Information***Example: OWCQ4D1022MV50BZ*

Series	Distribution	Version	Wattage	Voltage	CCTs	Finish
<b>OWCQ4</b>	<b>D</b> (Down)	<b>10</b> (Version 1)	<b>22</b> (22 W)*	<b>MV</b> (120-277)	<b>30</b> (3000 K)	<b>BZ</b> (Bronze)
	<b>U</b> (Up/Down)		<b>33</b> (33 W)**		<b>40</b> (4000 K)	<b>WH</b> (White)
					<b>50</b> (5000 K)	

*Specifications and dimensions subject to change without notice.**\* Only available in Down configuration**\*\* Only available in Up/Down configuration*

This device complies with part 15 of the FCC Rules. Operation is subject to the following two conditions: (1) This device may not cause harmful interference, and (2) this device must accept any interference received, including interference that may cause undesired operation.

NOTE: This equipment has been tested and found to comply with the limits for a Class A digital device, pursuant to part 15 of the FCC Rules. These limits are designed to provide reasonable protection against harmful interference when the equipment is operated in a commercial environment. This equipment generates, uses, and can radiate radio frequency energy and, if not installed and used in accordance with the instruction manual, may cause harmful interference to radio communications. Operation of this equipment in a residential area is likely to cause harmful interference in which case the user will be required to correct the interference at his own expense.